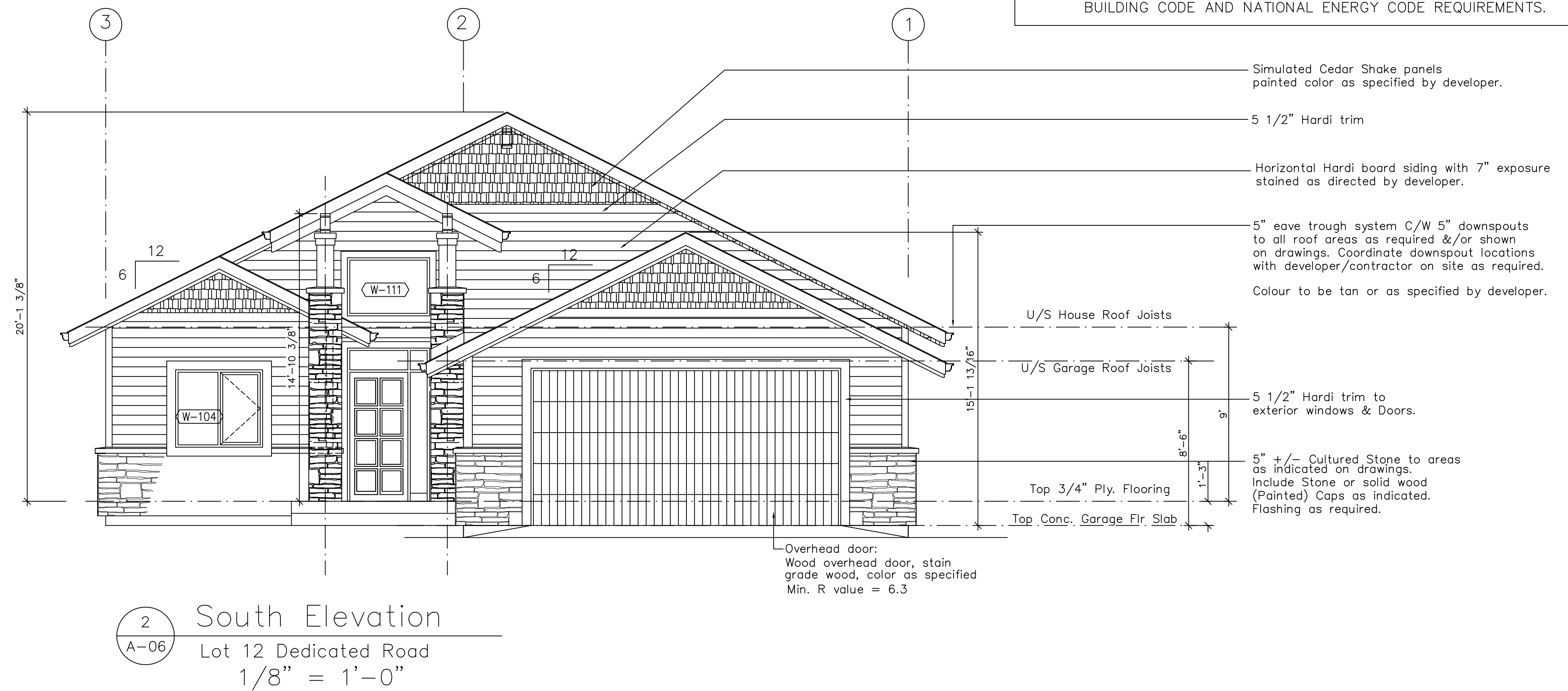
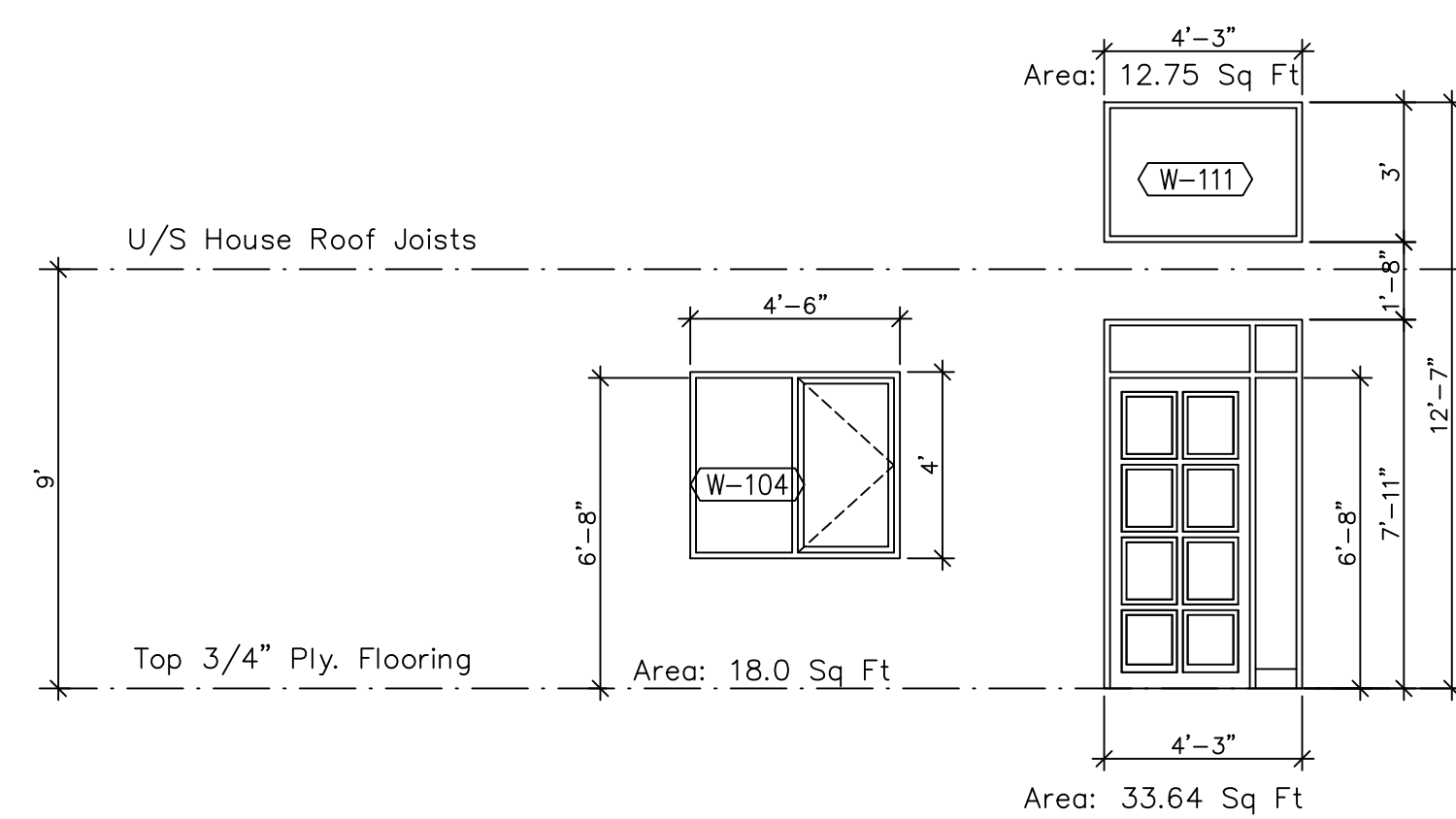


NOTE: WINDOWS MANUFACTURED BY STARLINE WINDOWS, TO MEET BUILDING CODE AND NATIONAL ENERGY CODE REQUIREMENTS.



**R. W. SCHEIDT DESIGN**  
 1683 BLONDEAUX CR.  
 KELOWNA, B.C. V1Y 4J8  
 PHONE: (250) 860-5061  
 E MAIL: SCHEIDTDESIGN@SHAW.CA

REVISION NUMBER	DATE	DESCRIPTION
1		
2		
3		
4		
5		

PROJECT NAME				-
PROJECT ADDRESS				Lot 12 Dedicated Road, Penticton
DRAWING TITLE				Front & Rear Elevations
DESIGN	DRAW	SCALE	DATE	SHEET:
		1/4"=1'-0"	MAY 19, 2016	A-06